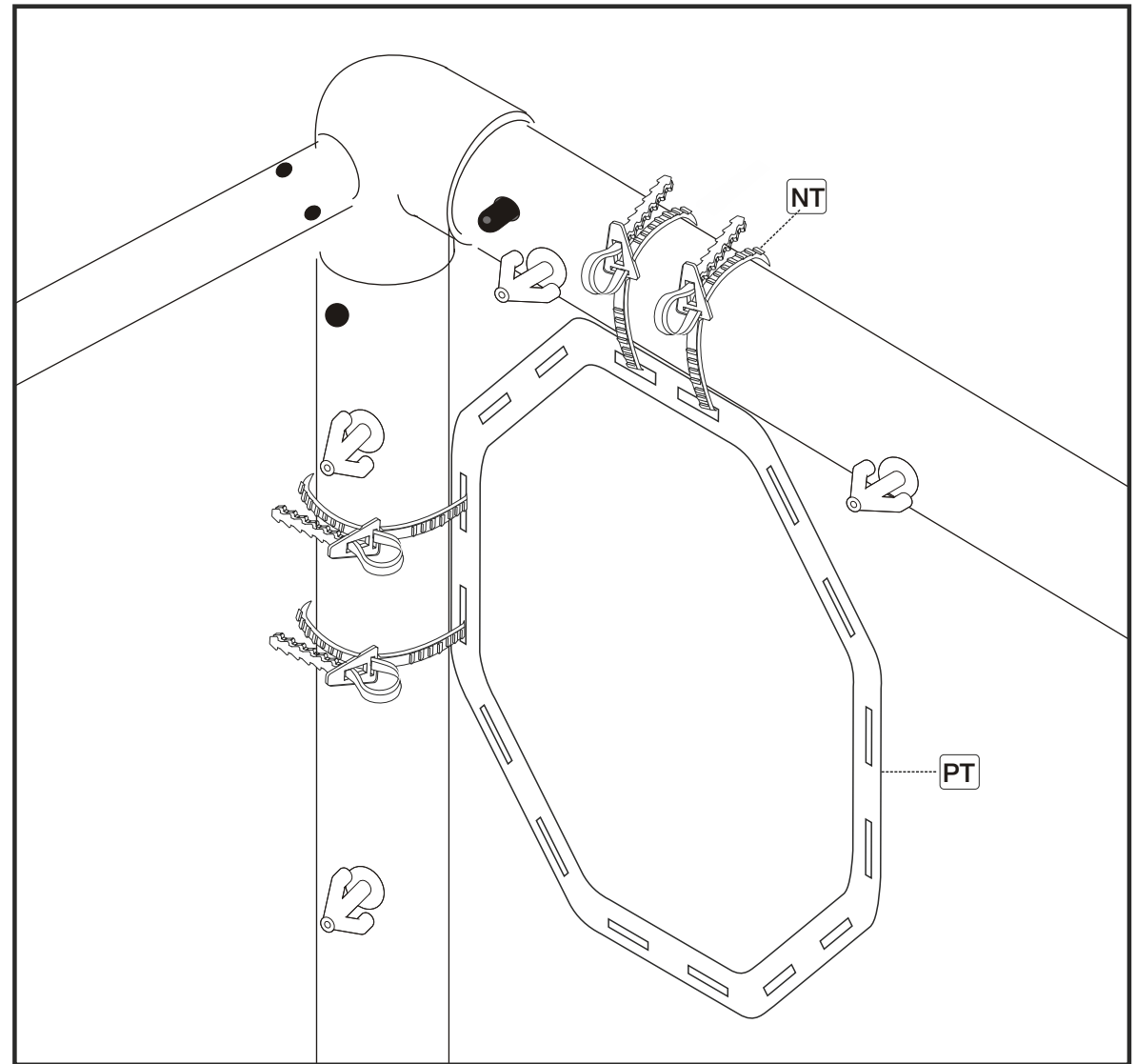
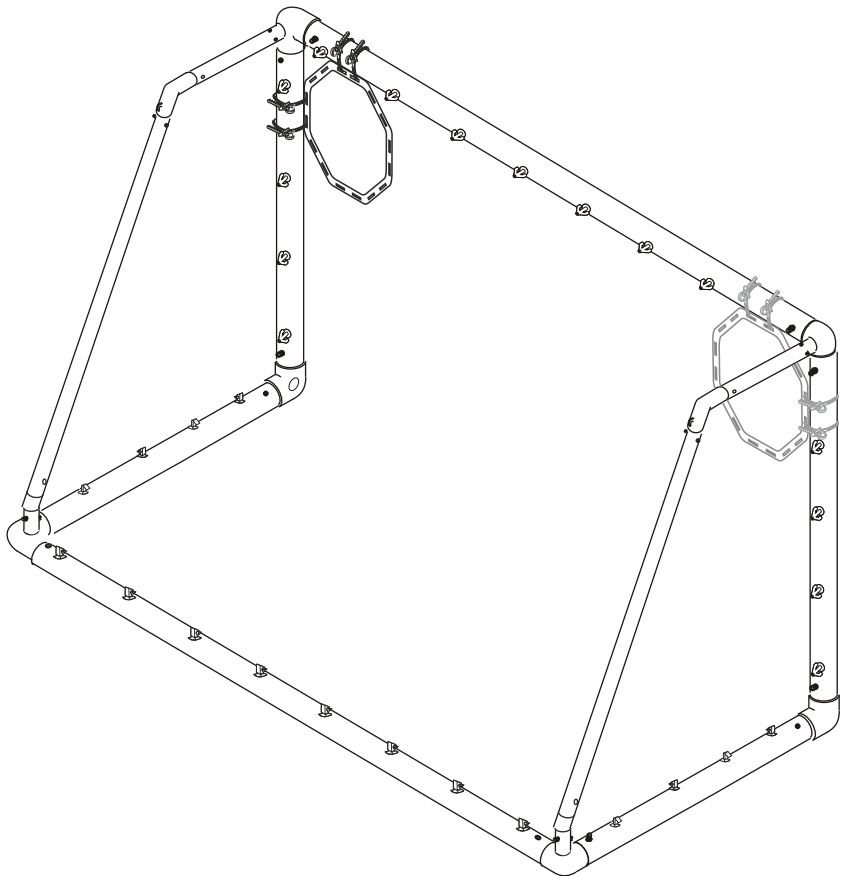


FOOTBALL GOAL TARGET

COMPONENTS

PT	PLASTIC TARGET	x1
NT	NET TIES -Removable	x4



Fitting the Target to the Goal

Insert the net tie through the rectangular hole in the plastic target. Wrap the net tie around the crossbar and slot into the horizontal hole in the net tie. fasten the net tie into the horizontal slot with the serrated edge as per the diagram above for a tight fit. Fit the ties in the four positions shown to hold the target firmly in place.

Please note the target netting is an optional extra.

Note this diagram shows the target goal being fitted to an ITSA GOAL club goal that includes Arrowhead net fittings. Arrowhead net fittings are available to purchase separately and can be added to goals to improve net fitting.