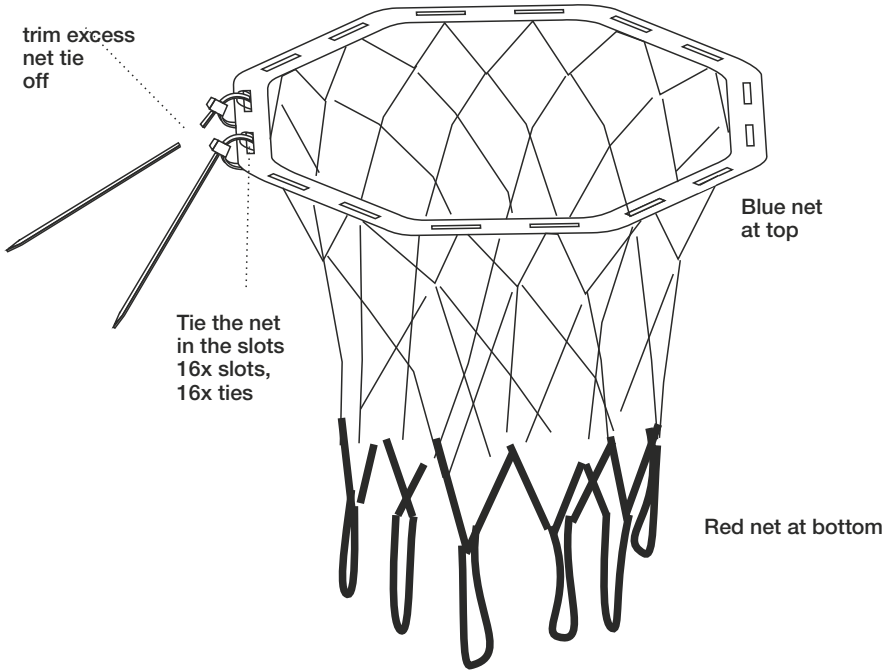
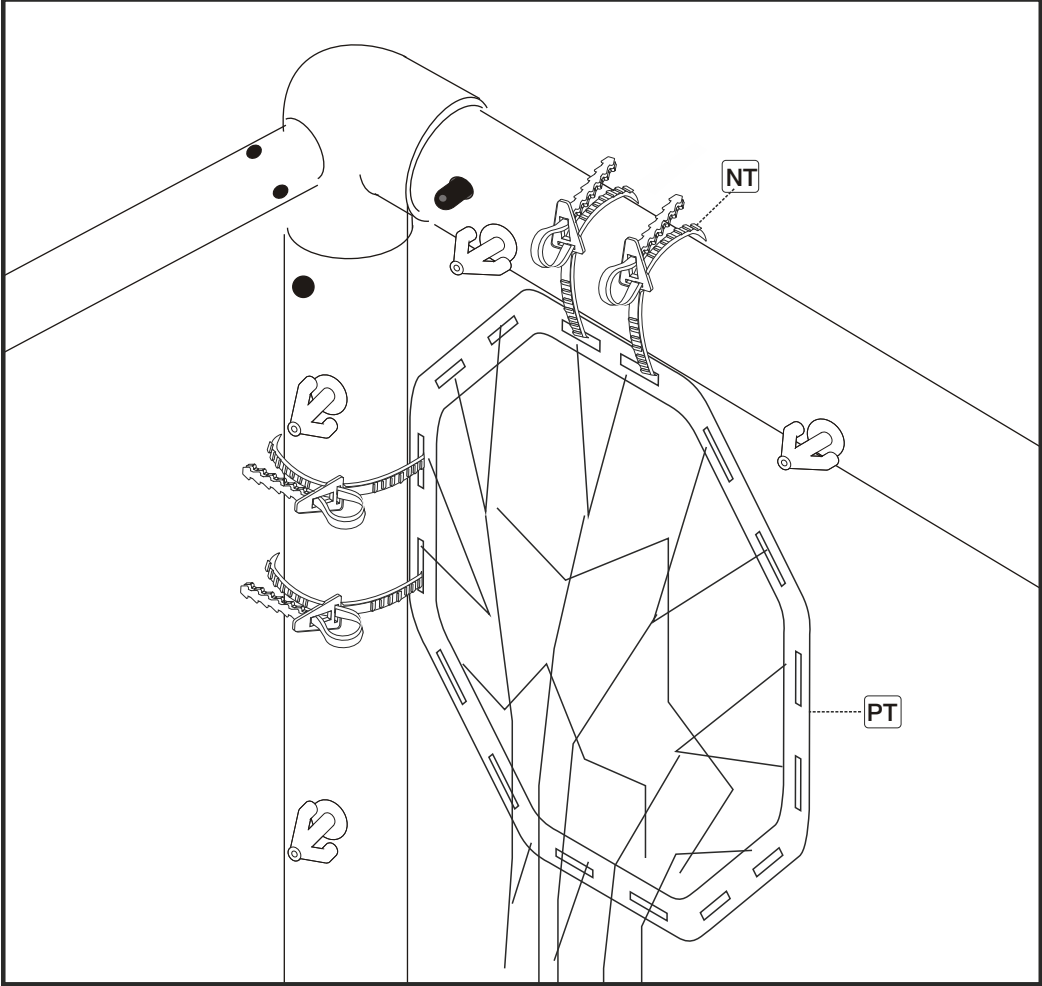


FOOTBALL GOAL TARGET WITH NET

Tie the net to the target . Note the red part of the net is at the bottom as shown. Once you have tied the net ties cut the ties down.



If you want to stop the ball dropping through the hope, tie a knot in the bottom of the red netting or add an additional tie.



COMPONENTS		
PT	PLASTIC TARGET	x1
NT	NET TIES -Removable	x4
NET	TARGET NET	x1
ST	SMALL NET TIES	x16

Fitting the Target to the Goal

Note this diagram shows the target goal being fitted to an ITSA GOAL club goal that includes Arrowhead net fittings. Arrowhead net fittings are available to purchase separately and can be added to goals to improve net fitting.

Once the net is tied to the target insert the net tie through the rectangular hole slot in the plastic target. Wrap the net tie around the crossbar and slot into the horizontal hole in the net tie. fasten the net tie into the horizontal slot with the serrated edge as per the diagram above for a tight fit. Fit the ties in the four positions shown to hold the target firmly in place.

